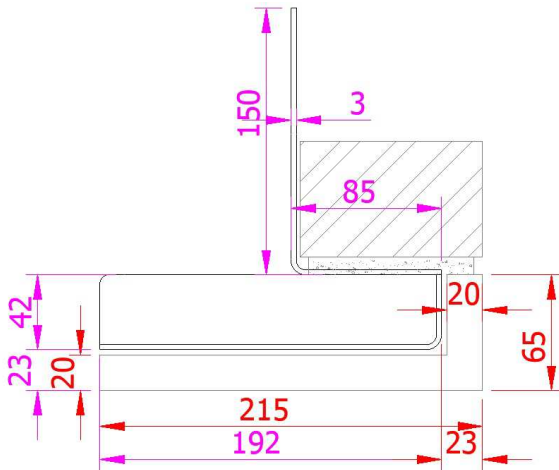


Brick slip lintels

L section range light duty 65 x 215 mm

Section at span:



L 65-215

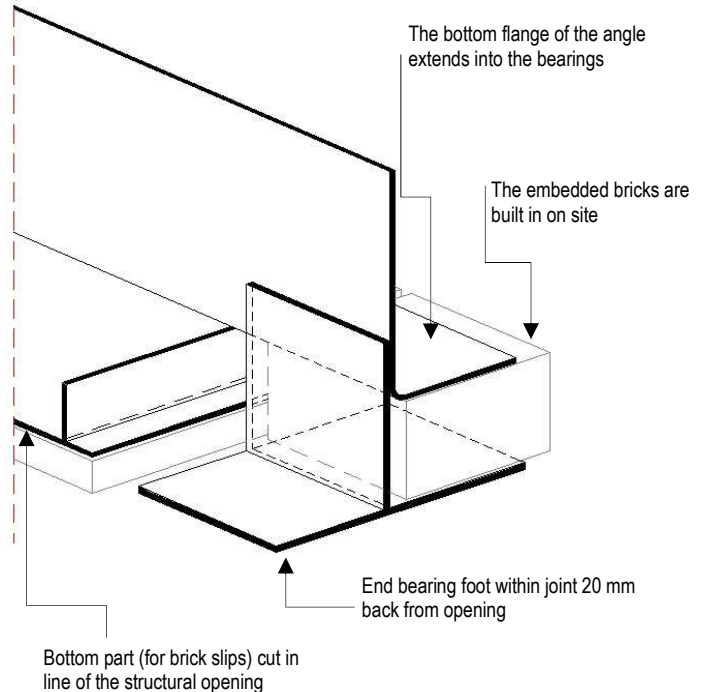
Lintel section properties

Ixx	430.8	cm ⁴
Zxx	59.4	cm ³
Weight	10.9	Kg/m
Area	13.7	cm ²
Ryy	4.72	cm

Lintel load Capacity Table

Opening Span	Lintel Length	Safe Load kN
600	900	49.0
750	1050	49.0
900	1200	49.0
1050	1350	49.0
1200	1500	49.0
1350	1650	49.0
1500	1800	49.0
1650	1950	49.0
1800	2100	45.4
1950	2250	41.9
2100	2400	38.3
2250	2550	33.4
2400	2700	29.4

Section at bearing:



This section uses an LA lintel with an additional angle to support a 65 mm high x 215 mm soffit. Other dimensions to suit different size bricks also available.

The section provides a bearing on the bottom flange with second bearing at the "foot".

Default material stainless steel SS370 (EN 1.4003) also available in stainless steel LDX2101 (EN 1.4162) or S250GD + Z600.

The safe working load SWL represent the maximum factored load uniform distributed load the lintel can carry. 102.5 mm width brickwork is taken as 2.2 ken/m².

Bearings; min 150mm each side, for high loads longer bearings may be needed, and bearing stresses should be checked