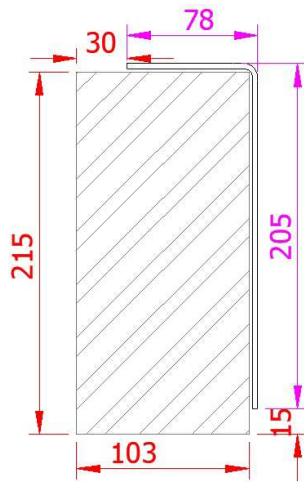


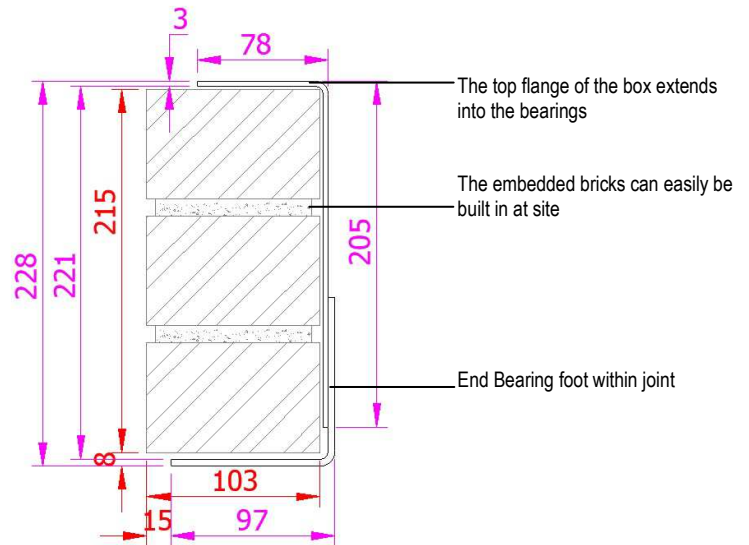
## Brick tray

### T section range end bearing detail

Section at span:



Section at bearing:



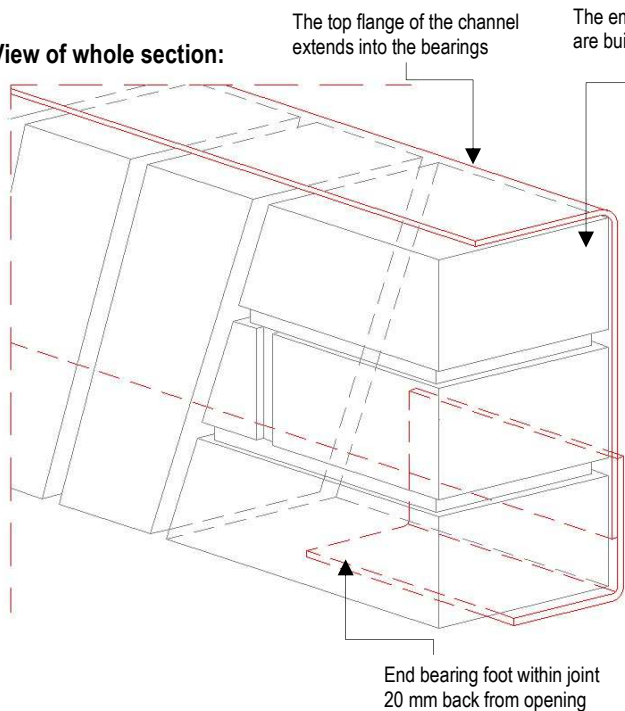
The top flange of the box extends into the bearings

The embedded bricks can easily be built in at site

End Bearing foot within joint

C 215/, C290/3, C365/3 are light duty sections of B215/3, B290/3 and B365/3. Both C and B ranges suit soldier course or gauged brick arches. Slips are 25 mm as standard, 30 mm or other slip sizes can also be used.

View of whole section:

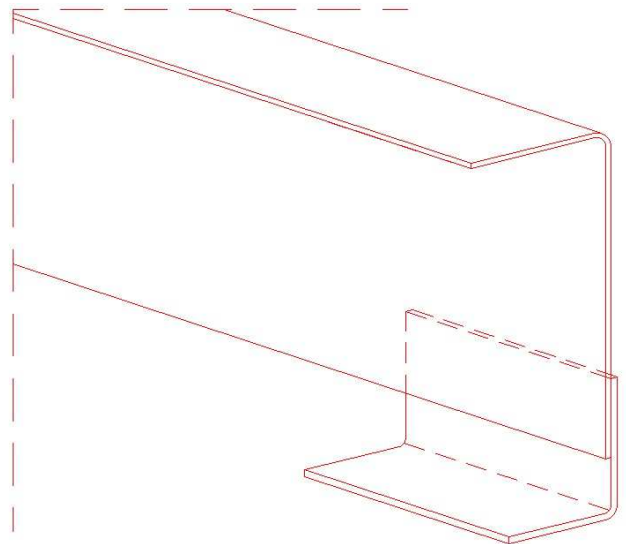


The top flange of the channel extends into the bearings

The embedded bricks are built in on site

End bearing foot within joint  
20 mm back from opening

View of the steel:



The section provides a bearing on the top flange with second bearing at the "foot".

Default material stainless steel SS370 (EN 1.4003) also available in stainless steel LDX2101 (EN 1.4162) or S250GD + Z600.

The safe working load SWL represent the maximum factored load uniform distributed load the lintel can carry. 102.5 mm width brickwork is taken as 2.2 ken/m<sup>2</sup>.

**Bearings;** min 150mm each side, for high loads longer bearings may be needed, and bearing stresses should be checked