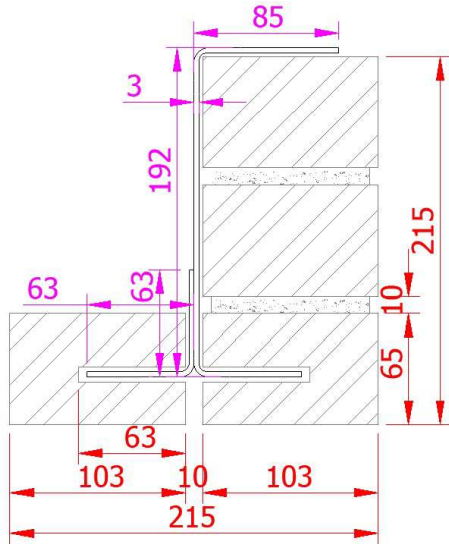


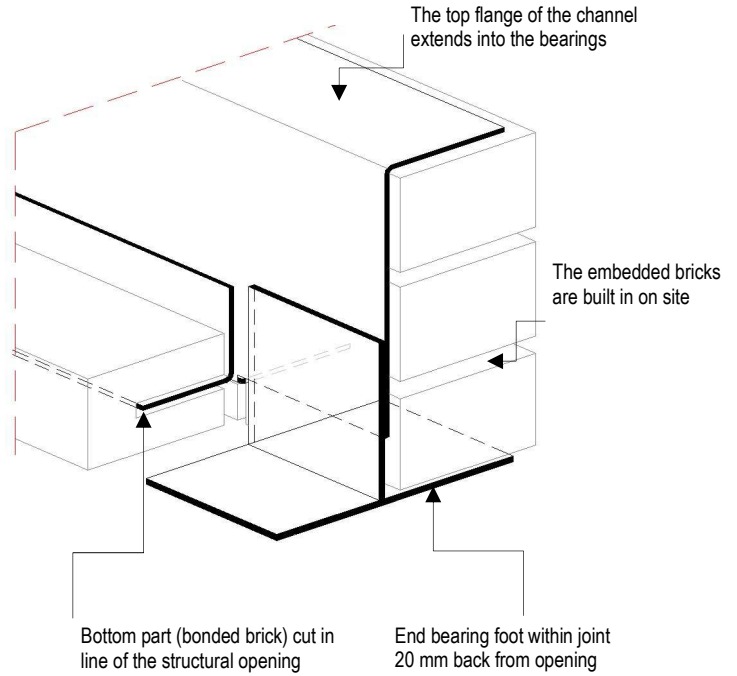
Brick tray

CC section range Stretcher bond 65 x 215 mm

Section at span:



Section at bearing:



CC 65-215

Lintel section properties

I _{xx}	739.8	cm ⁴
Z _{xx}	86.5	cm ³
Weight	10.7	Kg/m
Area	13.4	cm ²
R _{yy}	7.4	cm

Lintel load Capacity Table

Opening Span	Lintel Length	Safe Load kN
600	900	34.0
750	1050	34.0
900	1200	34.0
1050	1350	34.0
1200	1500	34.0
1350	1650	34.0
1500	1800	34.0
1650	1950	34.0
1800	2100	32.5
1950	2250	30.8
2100	2400	28.7
2250	2550	26.0
2400	2700	25.6
2550	2850	24.5
2700	3000	23.7
2850	3150	22.0
3000	3300	20.5

This section uses a CS or CM lintel with the brick slotted to produce the fairfaced soffit. The section allows for the brick to be mechanically fixed and bonded.

The section provides a bearing on the bottom flange with second bearing at the "foot".

Default material stainless steel SS370 (EN 1.4003) also available in stainless steel LDX2101 (EN 1.4162) or S250GD + Z600.

The safe working load SWL represent the maximum factored load uniform distributed load the lintel can carry. 102.5 mm width brickwork is taken as 2.2 ken/m².

Bearings; min 150mm each side, for high loads longer bearings may be needed, and bearing stresses should be checked